

Varimixer

EASYLIFT 80-140

LIFTING HEIGHT The Easylift 80-140 lift bowls from 14 to 64 cm for suitable working height.

BOWL SIZES The Easylift 80-140 handles bowls from 80 to 140L.

EASY TRANSPORTATION EASYLIFT handles all lifts of bowls and is easy to drive around in the kitchen.

OVERLOAD PROTECTION The lift is equipped with automatic over-load switch.

EASY HANDLING After mixing, the bowl is lifted directly out of the mixer, driven to the workplace and lifted up to appropriate working height for portioning of the contents.

BATTERY POWERED The Easylift 80-140 lift will enhance efficiency in your work processes and ensure health and safety.

MAXIMUM LOAD Easylift 80-140 moves, lifts and handles loads of up to 100 kg simply and efficiently.

EASY OPERATION The lifting and lowering function is controlled on the push button.

WHEN NOT IN USE When EASYLIFT is not in use, it can be parked under the table.



VARIMIXER EASYLIFT 80-140

The mast is made of anodized aluminum.

Forks and handle are made of glass bead blasted stainless steel.

Charger: 230V, 0,2 Amps

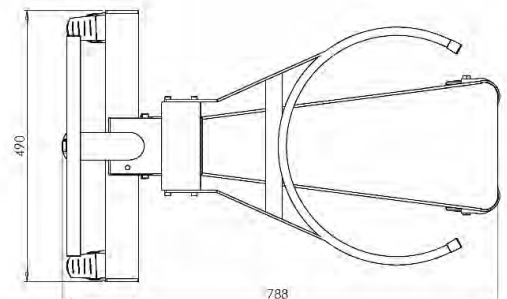
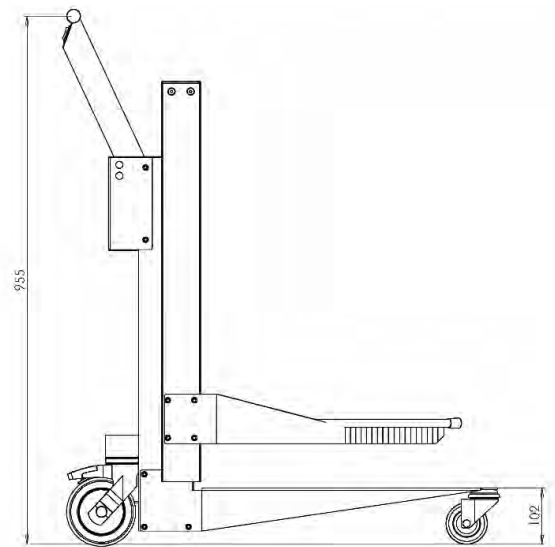
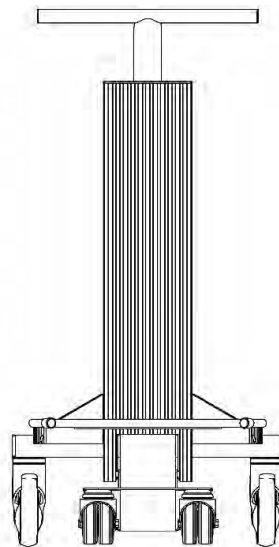
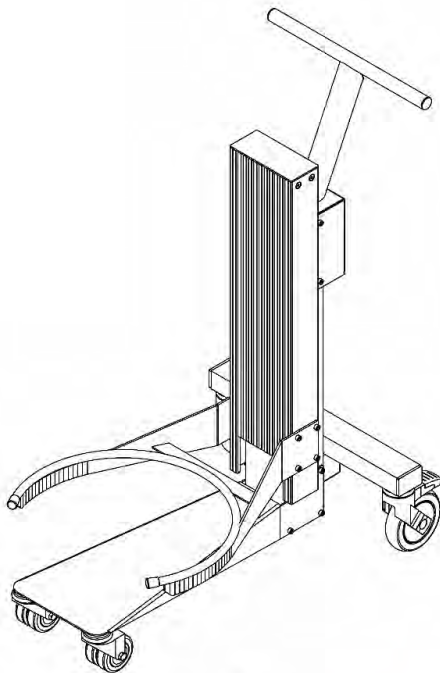
CERTIFICATIONS



VARIMIXER EASYLIFT 80-140

Bowl size	80 - 140 L
Maximum load	100 kg
Net weight	23 kg
H x W x L	955 x 490 x 788 mm
Batteries	24V, 1,2Ah
Charging time (100%)	8 hrs.
Sound pressure level	≤ 70 Db(A)
Vibration strength	≤ 2.5 m/s ²
IP code	IP41

DIMENSIONS



Varimixer

Varimixer A/S
Kirkebjerg Søpark 6
DK-2605 Brøndby
P: +45 4344 2288
E: info@varimixer.com
www.varimixer.com