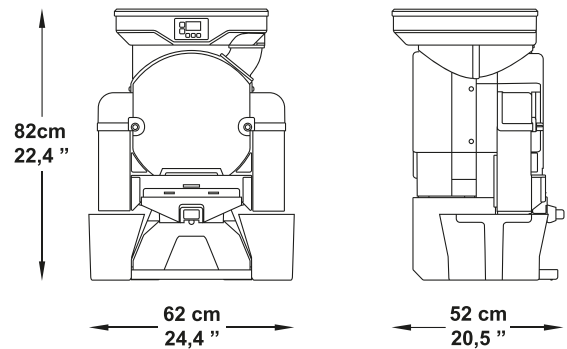


BIGBASIC



TECHNICAL FEATURES

Fruits per minute	28
Feeder capacity	8 Kg / 17,6 Lbs
Feeder mode	Manual
Squeezing diameter	80-95 mm / 3,15-3,74 "
Waste bin capacity	12 Kg / 26,5 Lbs / 72 squeezed oranges approx.
Weight	50,3 Kg / 110,9 Lbs
Voltage	230 V - 50/60 Hz 115 V - 60 Hz
Energy consumption	3,7 A / 4,1 A 8,1 A
Power	550 W - 0,7 Hp
Protection	Security and locking detectors. IPx4
Recommended consumption	🔥🔥🔥 Medium



OPTIONS



+ Squeezing kits S & M

45-60 mm or 60-80 mm juice squeezing kits to process smaller calibre fruits.

