



CME 420 E.



2 electric hotplates.

- 2 x 2 kW rings, Ø 180mm.
- Total power: 4 kW.
- Electrical supply: 230 V single phase.
- Optional: 400 V without N phase. Additional cost.
- Supplied without shelves.
- Open bay.

CME 420 E W 400 - D 650 - H 900

Warming cabinet option: includes shelves and oven rack.

Door with insulated inner door.

Power of the heating element: 1 kW.

Electric supply: 230 V single phase.

OAC 400

Door option.

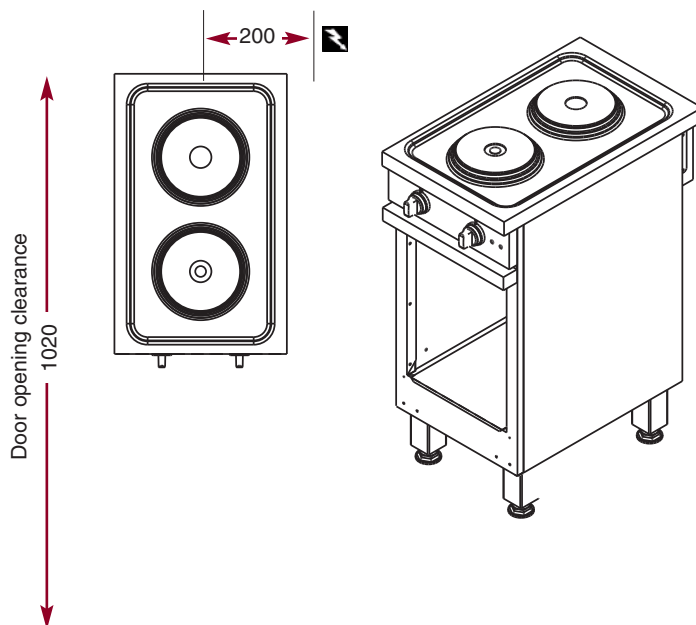
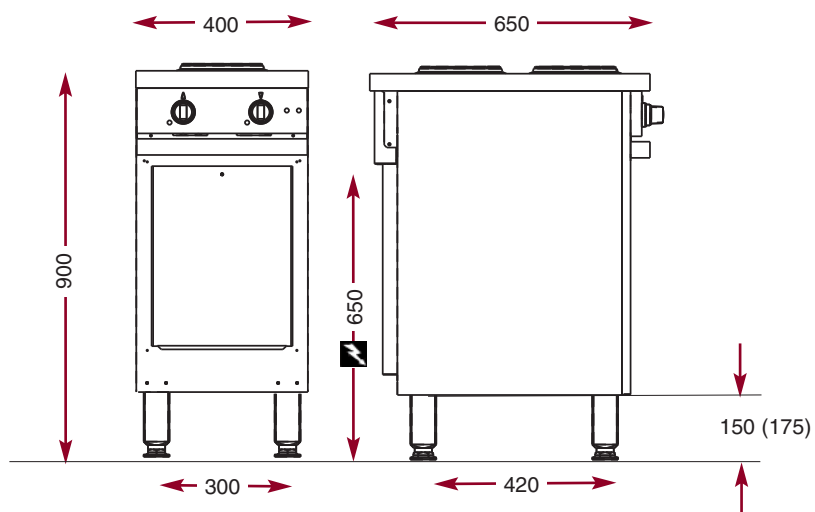
CPM 400

Shelving supports option - 5 levels - takes
Gastronorm 1/1 containers

ECH 400

2 electric hotplates

CME 420 E



 Electrical connection



The Chef's Choice.

N° 37 - 2